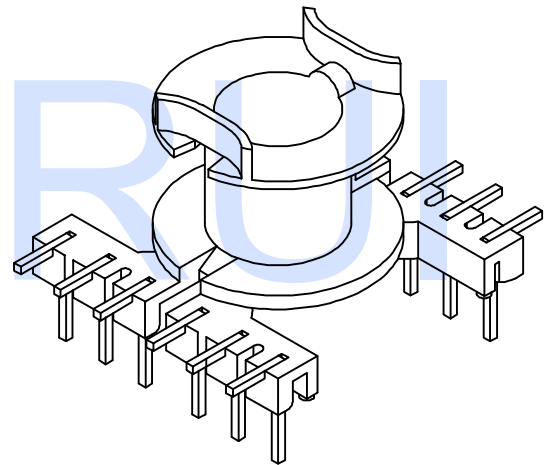
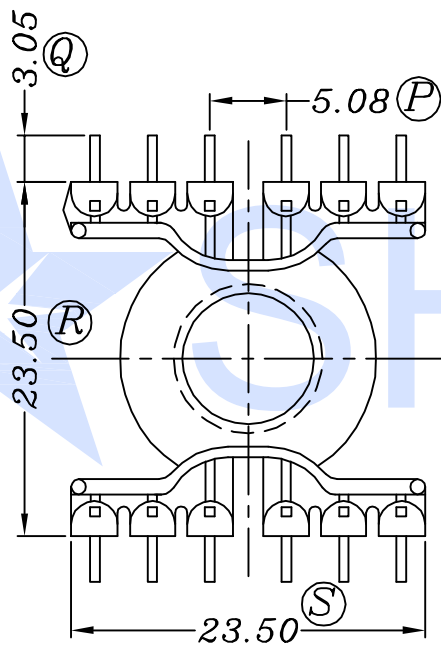
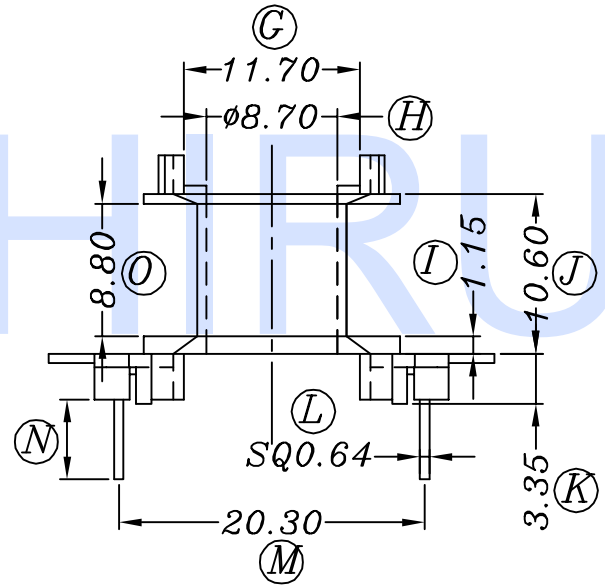
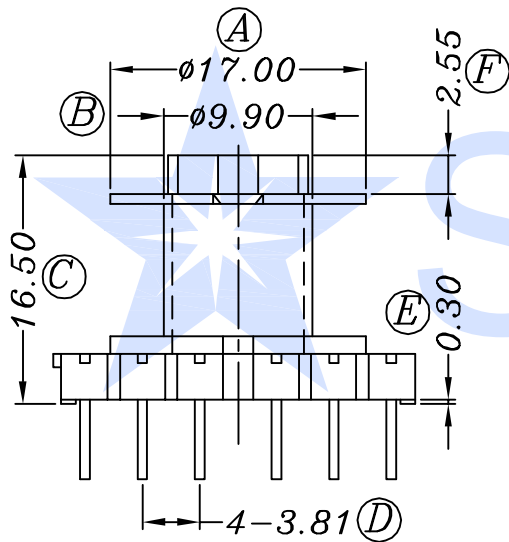


P/N

SR-RM0805



Hefei Shirui Electronic Technology Co.,Ltd

TEL:(0086) 55165232650

sales@shiruitech.com

www.shiruitech.com

SR NO.

SR-RM0805

MATERIAL:
PET

UL REC: UL 94V-0

ANGLE: ±°



UNIT: mm

TOLERANCE

0	L	4	±0.10
4	L	16	±0.20
16	L	64	±0.30
PIN PITCH			±0.05

DRN.

WILL H

CHD.

IRINA LEE

ISSD.

JAMES HU

MODEL NAME!

RM8-12P-1S
(L PINS)